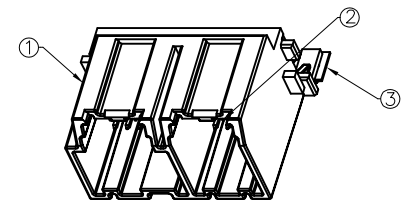
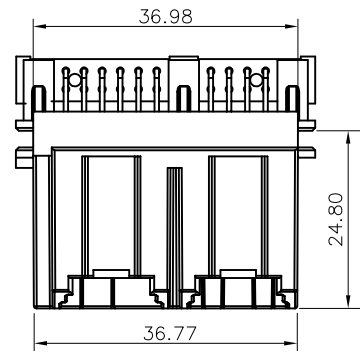


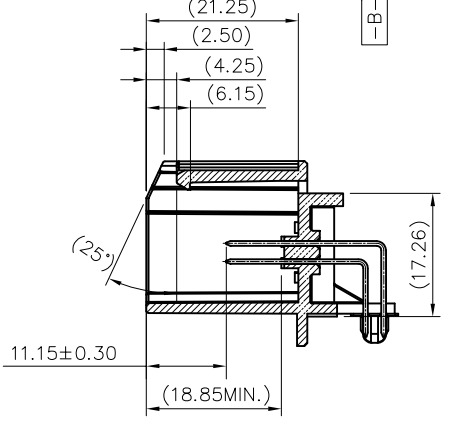
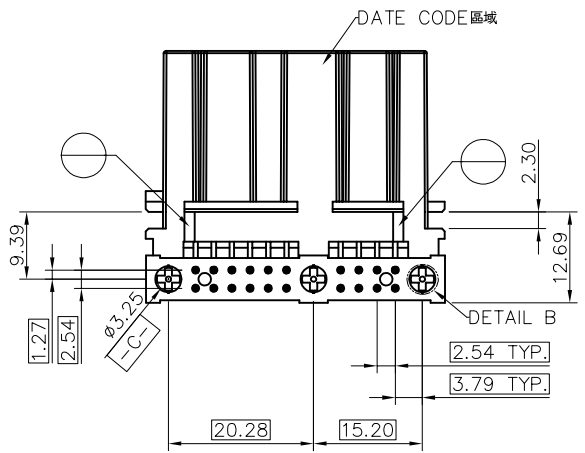
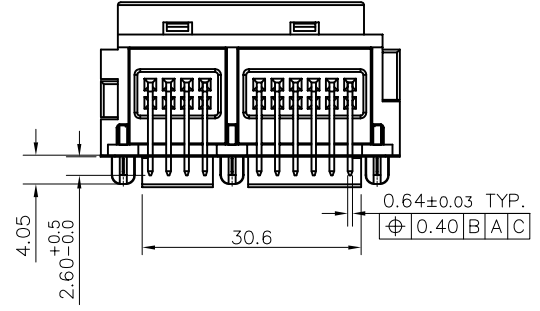
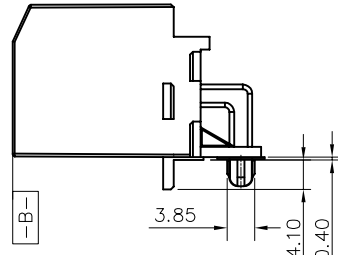
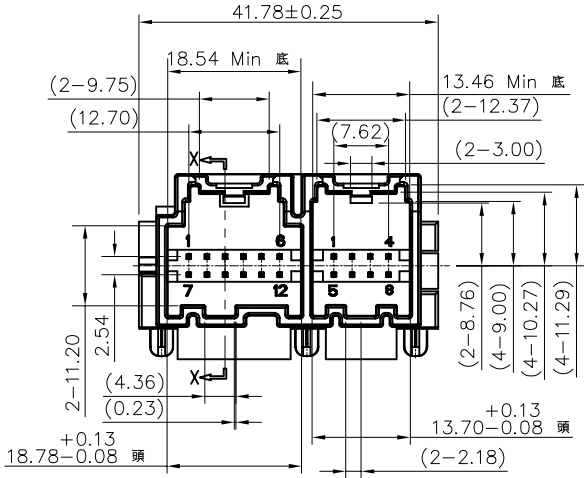
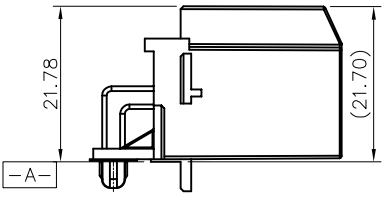
A B C D E F



NOTES:
 1. MATERIAL:
 1.1 HOUSING: THERMOPLASTIC, HIGH TEMP., UL94 HB; COLOR: BLACK.
 1.2 CONTACT: BRASS
 1.3 SUTTER: PET, T=0.25mm, COLOR: NATURAL
 2. FINISH:
 2.1 CONTACT:
 TIN PLATING OVERALL
 NICKEL UNDERPLATING OVERALL.
 3. CUSTOMER PART NUMBER: PCN-03780-10-0A
 4. SPEC PLS. REFER TO SPEC-92207-XXXX-XXX
 5. PACKAGE PLS. REFER TO 92207-020XX-XXX-PCK
 6. PART NUMBER
 7. THE PART DIMENSIONS ABOUT CONNECT CABLE AND PLUG-IN MUST FOLLOW THE USCAR: 064-U-012-2-Z02 / 064-U-008-2-Z02

92207-020 X X -XXX
 NO OF CKT. XXX:
 020: 20PIN 001: BLACK
 PACKING: 2: TRAY PLATING:
 N: LEAD FREE
 (MATT TIN)
 8. DATE CODE 編碼規則

92207-020XX-XXX
 0 A 08 T
 年分代碼 0=2010年
 月份代碼 A(1月),B(2月)...
 日期代碼 8=08號
 廠別代碼
 重工品代碼 " & " " _ ",非重工品代碼為空白
 廠別代碼
 T=TW-台灣
 D=DG-東莞
 E=KS-昆山長江廠
 K=KS-昆山青陽廠
 G=CG-重慶

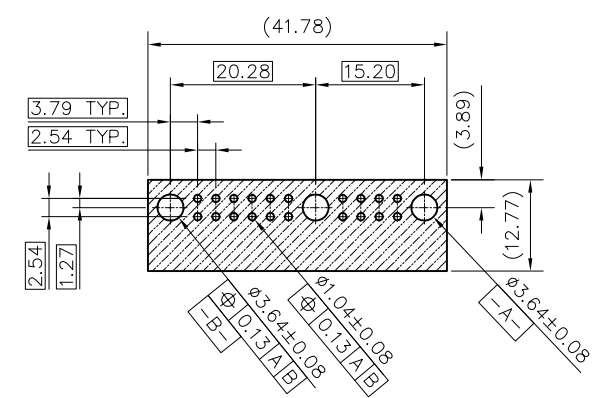



SECTION X-X
SCALE 1:1

QUALITY SYMBOLS MAJOR Ⓜ QUARTERLY ⓧ CRITICAL Ⓢ GENERAL TOLERANCES (UNLESS SPECIFIED) X. ±0.5 .X ±0.25 .XX ±0.13 .XXX ±**** ANGLES ±2°	DRAWN BY Lin, Liang Ju DATE 19/01/08	
	CHECKED BY Lee, Kuang En DATE 19/01/08	
APPROVED BY Lee, Kuang En DATE 19/01/08	UNITS mm	SIZE A4
SCALE 2:1	SHEET NO. 3 OF 1	DWG NO. 92207-020XX-XXX
		PART NO. SEE NOTES






A B C D E F

A B C D E F



 RESTRICTED AREA
NO COMPONENTS ALLOWED
RECOMMEND PCB LAYOUT

1 2 3 4 5

QUALITY SYMBOLS MAJOR  QUARTERLY  CRITICAL 		DRAWN BY Lin, Liang Ju 19/01/08	DATE 19/01/08				
GENERAL TOLERANCES (UNLESS SPECIFIED)		CHECKED BY Lee, Kuang En 19/01/08	DATE 19/01/08			TITLE 2.54mm WTB Wafer Conn. T/H D/R R/A Type	
X. ±0.5 .X ±0.25 .XX ±0.13 .XXX ±**** ANGLES ±2°		APPROVED BY Lee, Kuang En 19/01/08	DATE 19/01/08	UNITS mm		SIZE A4	DWG NO. 92207-020XX-XXX
		SCALE 2 : 1	SHEET NO. 3 OF 2	REV C	PART NO. SEE NOTES		

B C D E F